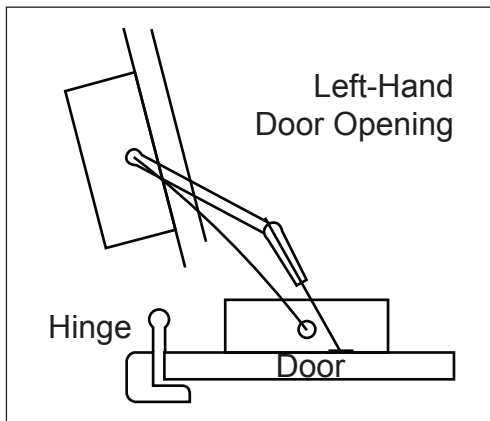
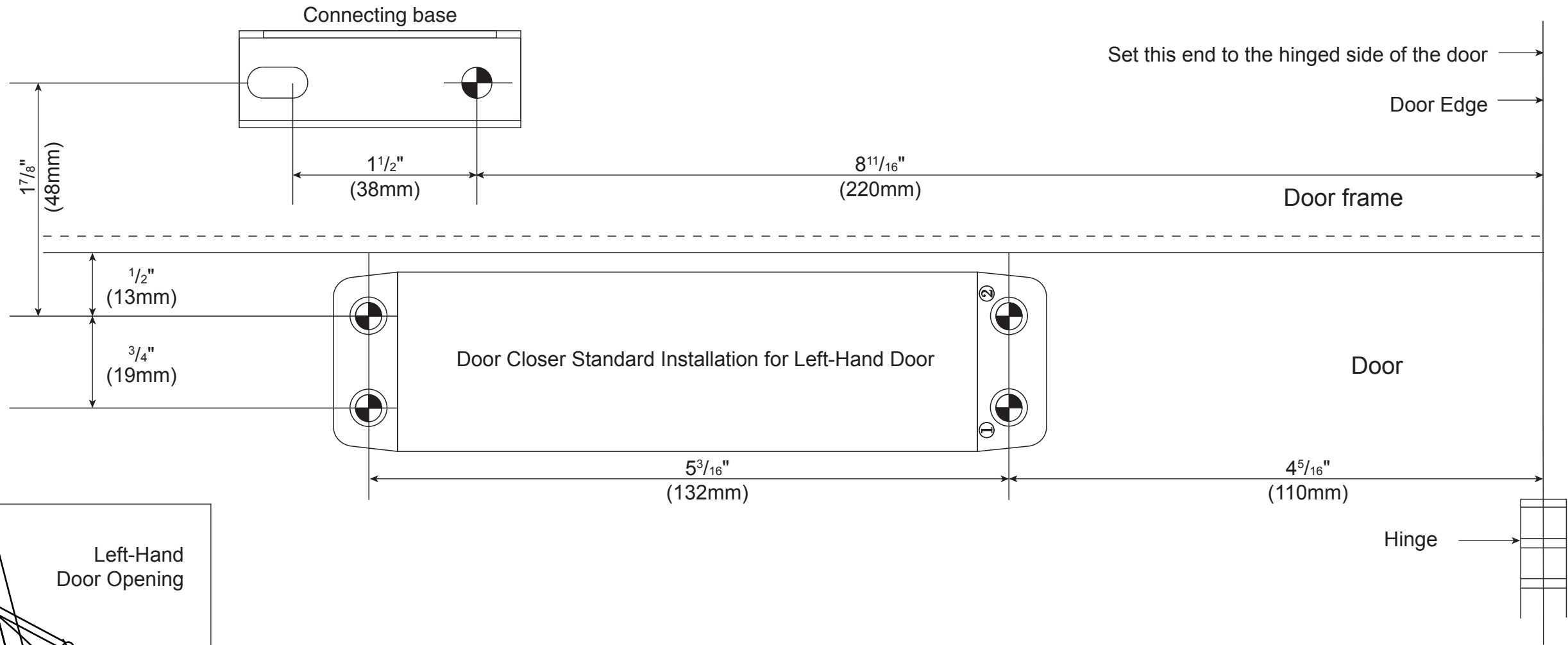
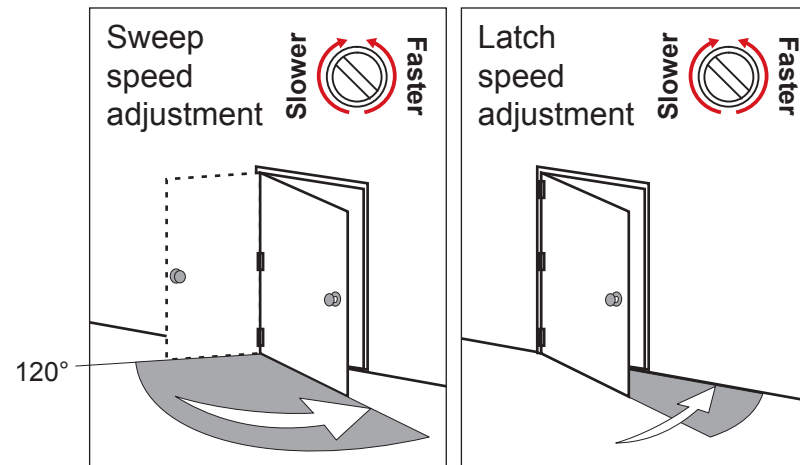


# INSTALLATION TEMPLATE FOR ENFORCER DOOR CLOSER

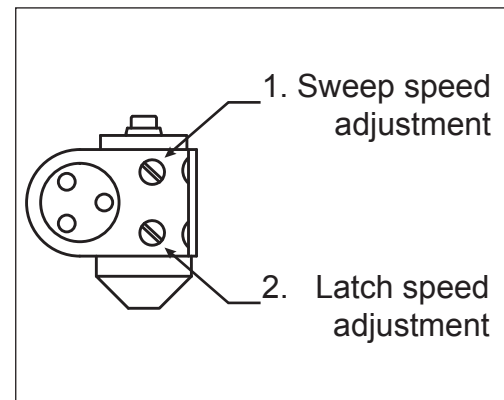


Model: SD-C121-S  
For Left-Hand Door

**SECO-LARM**  
www.seco-larm.com

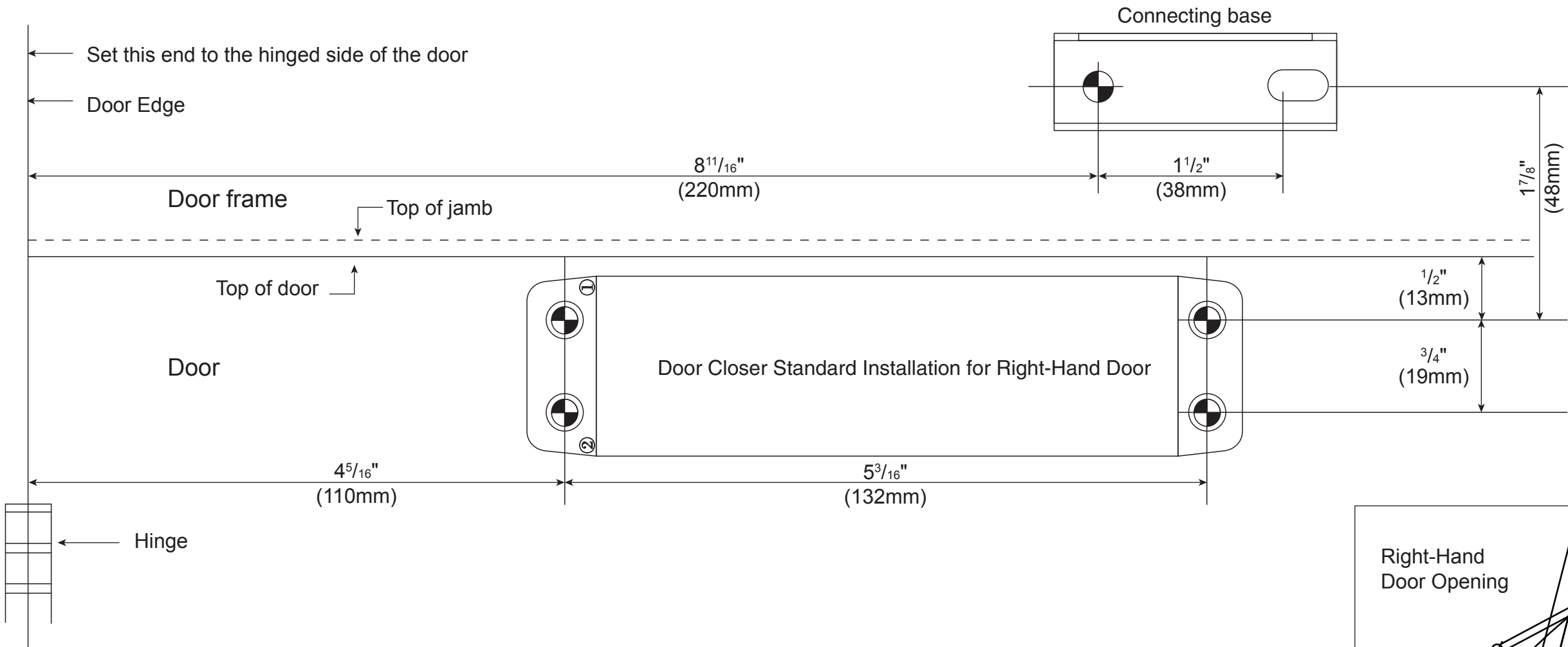


**Do not photocopy this template as photocopiers alter dimensions**



- Parts List:**
- 2x Philips head self-tapping screw (ST5.5\*25)
  - 4x Philips head self-tapping screw (ST4.8\*30)
  - 1x Arm axle screw (M6\*14)
  - 1x Arm assembly
  - 1x Axle cap
  - 1x Closer body

# INSTALLATION TEMPLATE FOR ENFORCER DOOR CLOSER

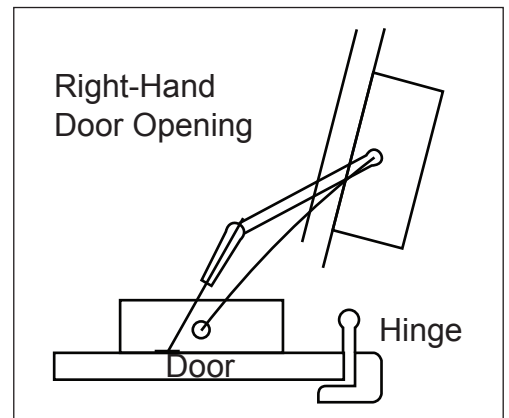
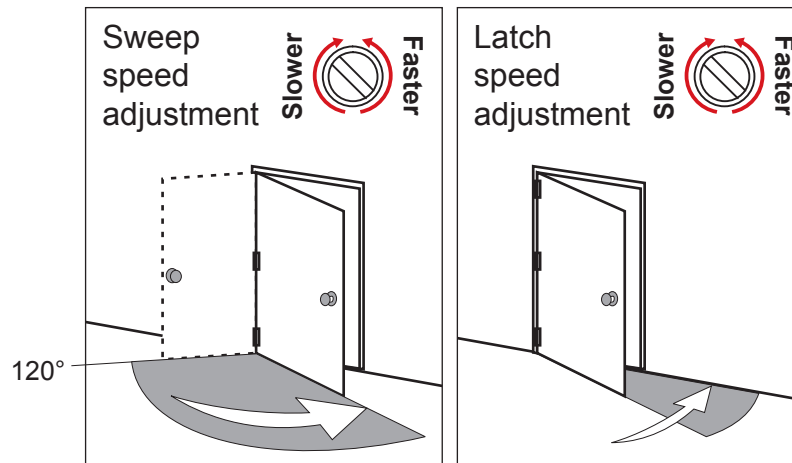
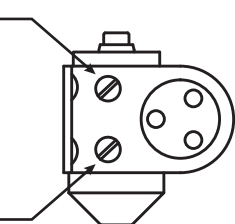


**Do not photocopy this template as photocopiers alter dimensions**

**Parts List:**

- 2x Philips head self-tapping screw (ST5.5\*25)
- 4x Philips head self-tapping screw (ST4.8\*30)
- 1x Arm axle screw (M6\*14)
- 1x Arm assembly
- 1x Axle cap
- 1x Closer body

1. Sweep speed adjustment
2. Latch speed adjustment



Model: SD-C121-S1  
For Right-Hand Door

**SECO-LARM**  
www.seco-larm.com

WARRANTY This SECO-LARM product is warranted against defects in material and workmanship while used in normal service for a period of one (1) year from the date of sale to the original consumer customer.