

## HD 5MP 2.8mm Turret Camera

**EV-Y2501-A2WWQ** 2.8mm Fixed Lens

HD

The ENFORCER HD 5MP Fixed Turret Camera offers high-resolution video and advanced technology in a compact and accessible package. With True Wide Dynamic Range (WDR), Digital Noise Reduction (3DNR) and Day/Night (ICR) capabilities, the camera provides excellent picture quality.

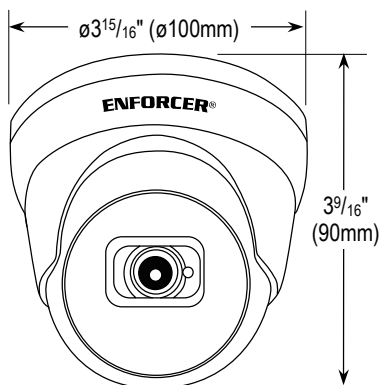


### Features

- 1/2.8" 5MP Sony CMOS Sensor
- 20FPS@5MP, (2592x1944)
- 2.8mm Fixed lens
- TVI, CVI, AHD, CVBS (Analog)
- True Wide Dynamic Range (WDR)
- 3D Digital Noise Reduction (3DNR)
- True Day & Night Function with ICR Module
- IR Range 98' (30m)
- Operating temperature: -40°~131° F (-40°~55° C)
- Rugged weatherproof construction (IP66)
- Heavy-duty vandal-resistant design
- Cables concealed in bracket to prevent tampering
- 12VDC

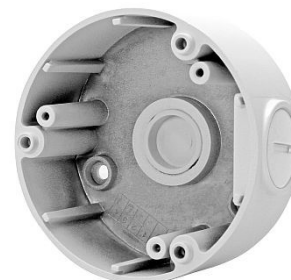


### Dimensions



### Accessories

Junction Box



EV-SSWQ

**SECO-LARM® U.S.A., Inc.**

16842 Millikan Avenue, Irvine, CA 92606

Phone: (949) 261-2999 | (800) 662-0800 Fax: (949) 261-7326

Website: [www.seco-larm.com](http://www.seco-larm.com) Email: [sales@seco-larm.com](mailto:sales@seco-larm.com)



Copyright © 2023 SECO-LARM U.S.A., Inc. All rights reserved.  
All trademarks are the property of SECO-LARM U.S.A., Inc. or their respective owners.  
The SECO-LARM policy is one of continual development. For that reason, SECO-LARM reserves the right to change prices and specifications without notice. SECO-LARM is not responsible for misprints.

**SECO-LARM® ENFORCER® CRIMEBUSTER® CBA® SLI®**

PI\_EV-Y2501-A2WWQ\_221220.docx

## Camera

Image sensor	1/2.8" 5MP Sony CMOS
Effective pixels	2592(H)x1944(V)
Formats	TVI (Default) / CVI / AHD / Analog (CVBS)
OSD (On-screen display)	Yes
S/N ratio	35db
Minimum illumination	Color: 0.05Lux at F1.2 (AGC on) 0Lux with IR on
IR Distance	Distance up to 98' (30m)
IR LEDs	2x 850nm LEDs

## Lens

Lens type	Fixed
Focal length	2.8mm
Maximum aperture	F1.6
Field of view	128°

## Video

Resolution	2592x1944
WDR	Yes
Shutter control	Auto
White balance	Auto
Gain control	Auto
Noise reduction	3D DNR
Privacy masking	Off, on (4 areas, rectangle)

## Certifications

Certifications	CE, FCC, RoHS
----------------	---------------

## Electrical

Operating voltage	12VDC	
Current Draw	IR On	440mA
	IR Off	80mA

## Environmental

Operating temperature	-40°~131° F (-40°~55° C)
IP Rating	IP66 Weatherproof

## Construction

Casting	Metal
Dimensions	ø3 <sup>15</sup> / <sub>16</sub> "x3 <sup>9</sup> / <sub>16</sub> " (ø100x90 mm)
Weight	16.72-oz (474g)