

Hands-Free Video Door Phone

- DP-264-1C7Q** Camera and Monitor Set
- DP-264-M7Q** Additional Hands-Free Monitor
- DP-264-CQ** Additional Camera
- DP-264-MSQ** Indoor monitor bracket



DP-264-1C7Q shown

Features

- Simple 2-wire connection
- Remotely and securely talk to visitors and unlock doors, gates, etc. from the monitor
- Easily connect 2 additional monitors and an additional camera
- Camera has four IR LEDs for nighttime operation
- Built-in microphone and speaker for hands-free two-way communication
- Soft-touch button operation
- Adjustable color tone, brightness, speaker, and ringer volume
- 700 TV Lines resolution, large 7" screen



DP-264-MSQ shown

Specifications

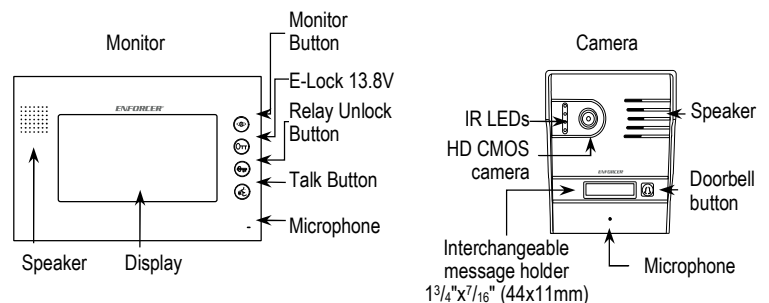
Monitor	
Display	7" Color TFT
Operating voltage	18VDC
Relock delay	5 seconds
E-lock delay	1 second
Weight	1-lb, 2-oz (560g)
Current draw	Active: 555mA
	Standby: 20mA
Dimensions	9 1/2" x 6 5/16" x 1" (241x161x25 mm)

Camera	
Type	Color camera
CMOS	1/3" CMOS sensor
Resolution	700 TV lines
Lens	2.1mm
Relay output	3A@30VDC max. dry contact
Operating temperature	-13°~149°F (-25°~65°C)
Weight	1-lb, 6-oz (750g)
Current draw	150mA
Dimensions (without sunshield)	4 7/16" x 5 3/8" x 2 1/16" (112x136x52 mm)

Up to
2
Cameras → Up to
3
Monitors

2-Wire Installation **IR LEDs For Nighttime viewing** **Unlocks Doors**

Overview



SECO-LARM® U.S.A., Inc.

16842 Millikan Avenue, Irvine, CA 92606

Phone: (949) 261-2999 | (800) 662-0800 Fax: (949) 261-7326

Website: www.seco-larm.com Email: sales@seco-larm.com



Copyright © 2022 SECO-LARM U.S.A., Inc. All rights reserved.

All trademarks are the property of SECO-LARM U.S.A., Inc. or their respective owners. The SECO-LARM policy is one of continual development. For that reason, SECO-LARM reserves the right to change prices and specifications without notice. SECO-LARM is not responsible for misprints.

SECO-LARM® ENFORCER® CRIMEBUSTER® CBA® SLI®

PI_DP-264-1C7Q_220408.docx