

Wireless Video Door Phone

DP-266-1C7Q

The ENFORCER Wireless Video Door Phone is a stand-alone, home entry solution. Observe visitors on the large 7" screen as they arrive, communicate with them, take photos or videos for later viewing, and unlock a gate to grant entry – all from the wireless monitor. Connect up to 3 monitors with 2 cameras for viewing multiple entrances around the house.



DP-266-1C7Q

Features

- Talk with visitors and unlock doors or gates via the monitor
- Monitor's rechargeable battery allows convenient communication with visitors while moving around the premises
- Connect up to 2 additional monitors and 1 additional camera (sold separately)
- Intercom calling between paired monitors
- Egress input allows the door phone to be connected to a Request to Exit Plate or other egress device
- Camera has a 170° field of view with adjustable pan and tilt angle to accommodate a variety of installations
- Camera has built-in IR LEDs for nighttime operation
- Camera's built-in PIR sensor activates camera to take photos or record video of approaching visitors
- Tamper switch triggers alarm if camera is removed from base



DP-266-M7Q

Built-in Kickstand for Wall or Table Mount



Adjustable Camera Angle

Allows for mounting variations



Wireless Operation

Range: Up to 492ft (150m)*



Unlocks Doors

Allows access remotely via the monitor



2 Cameras, 3 Monitors

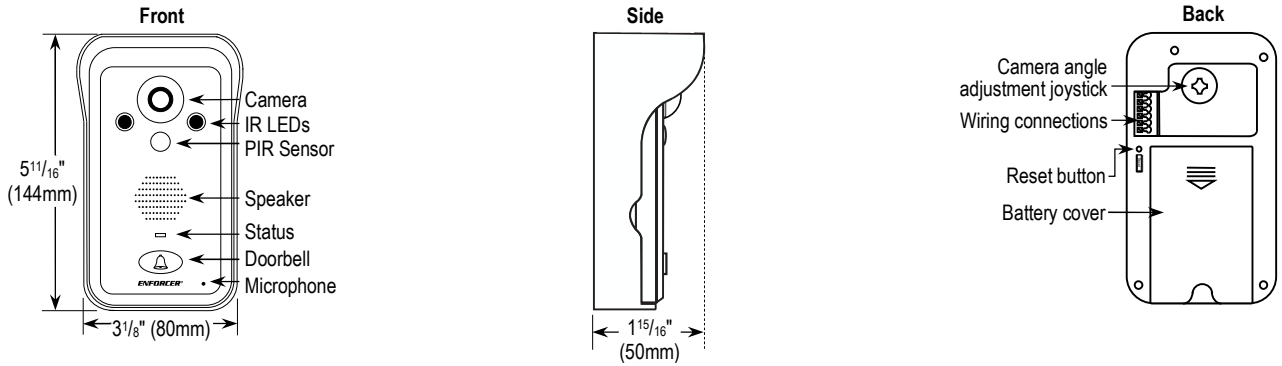
Pair up to 3 monitors with 2 cameras



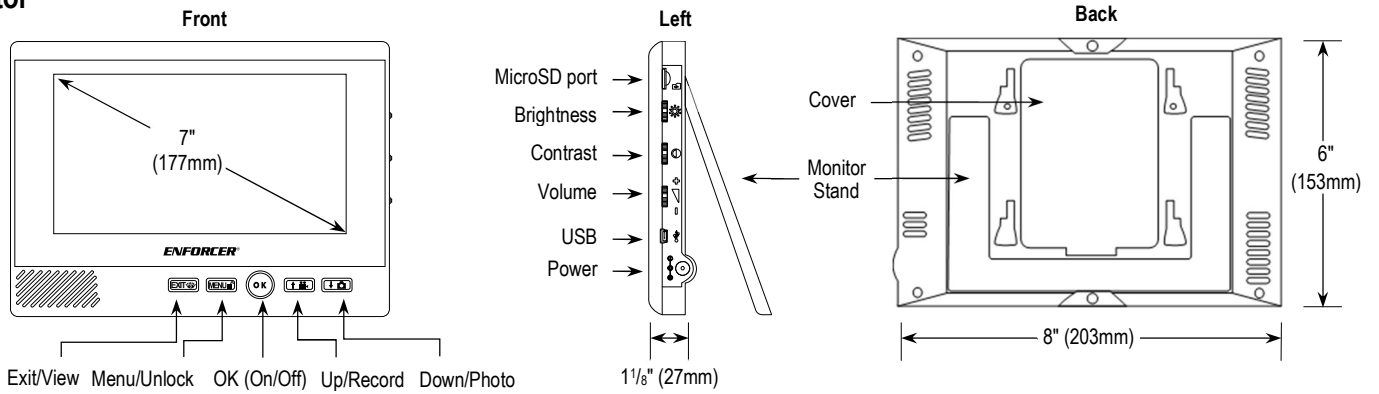
*Line-of-sight range. Actual range may vary depending on the installation and operating environment.

Overview

Camera



Monitor



On-Screen Display Features



Photos – View and delete photos taken by the camera station.



Time – Set the time and date.



Video – View and delete videos taken by the camera station.



Messages – View photos from missed calls.



Ring – Choose from four different ring tones and set ring volume (six levels).



Setup – Set advanced settings such as motion detection, backlight time, unlocking duration, pairing, or alarm settings.

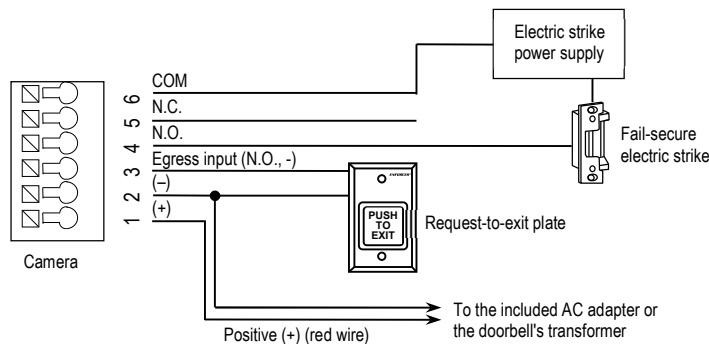
Specifications

Camera	
Type	Color camera
Chip	CMOS
Resolution	640 TV lines
Lens	2mm
Field of view	170°
Camera angle adjustment	Up to 20° any direction
Operating voltage	9~16 VAC / 5~16 VDC
Relock delay	3/6/8 Seconds
Relay output	3A@24VAC/24VDC
Current draw	Active 300mA@12VDC Standby 15mA@12VDC
Battery life	Active ~7 hours Standby ~60 Days
IR LED range	5' (1.5m)
IR LED frequency	940nm
IP rating	IP55 weatherproof
PIR detection range	9' (3m)
Operating temperature	14°~122° F (-10°~50° C)
Dimensions	5 ¹ / ₁₆ "x3 ¹ / ₈ "x1 ¹⁵ / ₁₆ " (144x80x50 mm)
Weight	4.3-oz (122g)

Monitor	
Display	7" (178mm) TFT
Operating voltage	12VDC (adapter) or 3.7VDC (battery)
Current draw	Active 600mA@3.7VDC Standby 5mA@3.7VDC
Battery life	Active ~2.5 hours Standby ~7 days
Antenna gain	0dBi
Modulation type	GFSK
Operating frequency	2402~2480MHz
RF Power	120mW
Wireless range	492 (150m)*
Operating temperature	32°~95° F (-5°~35° C)
Dimensions	8"x6"x1 ¹ / ₈ " (203x153x27 mm)
Weight	1.2-lb (544g)

* Line-of-sight range. Actual range may vary depending on the installation and operating environment

Sample Wiring Diagram



Optional Accessories

DP-266-M7Q <i>Additional Monitor</i>	DP-266-CAQ <i>Additional Camera</i>	DP-266-BM7 <i>Replacement Rechargeable Lithium-Ion Battery for Monitor</i>	DP-266-BC7 <i>Replacement Rechargeable Lithium-Ion Battery for Camera</i>
			